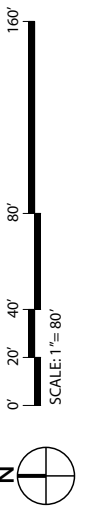
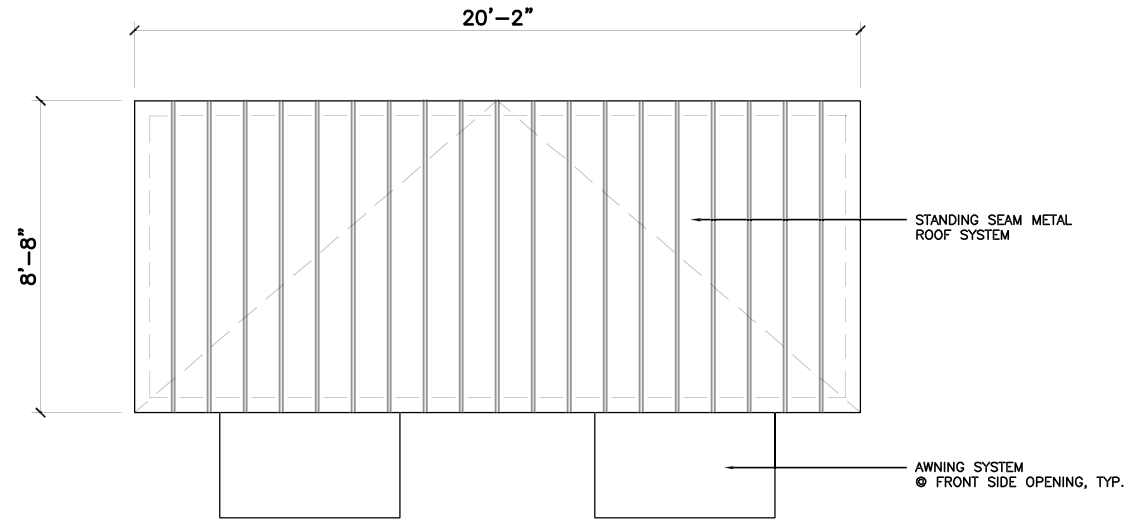


LOCATIONS APPROXIMATE.
SUBJECT TO CHANGE.

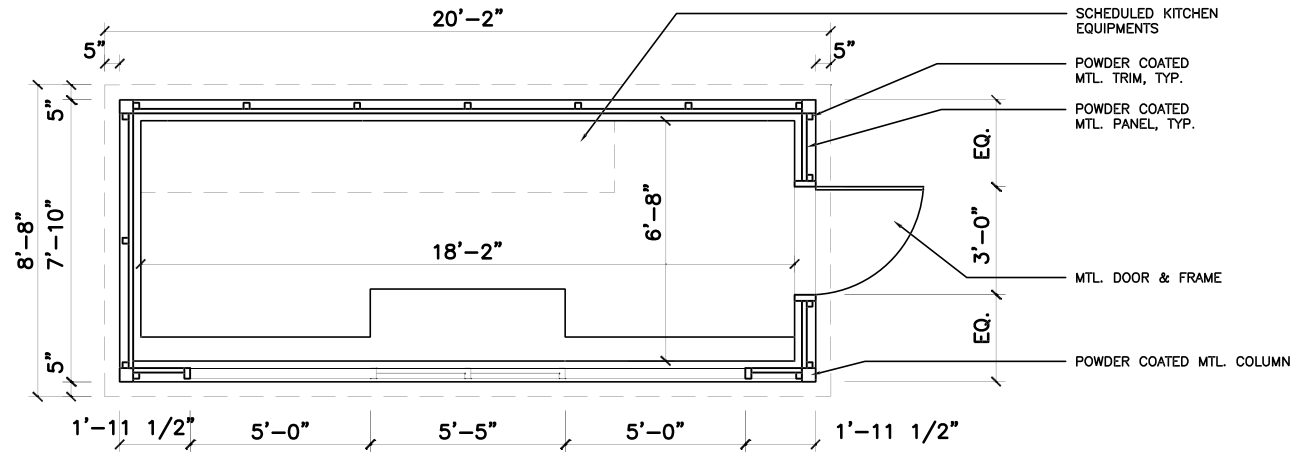


SITE STRUCTURES

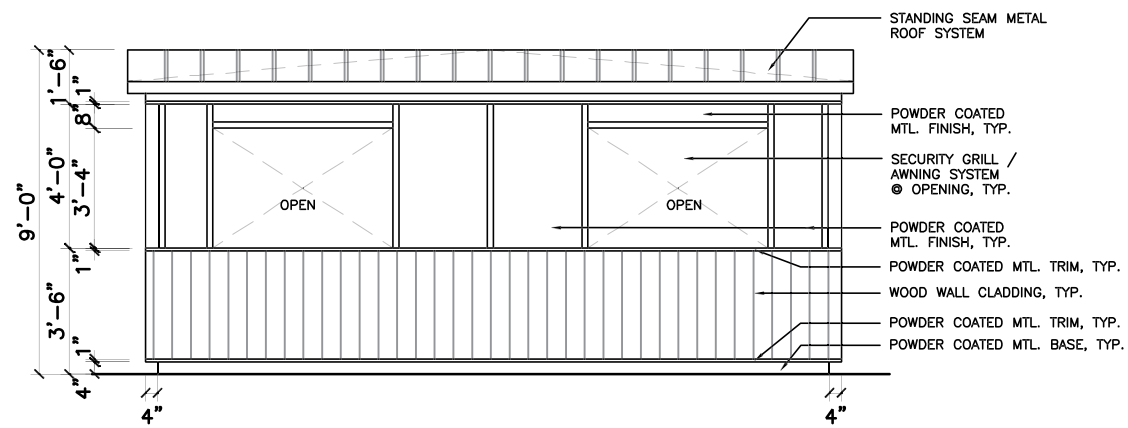




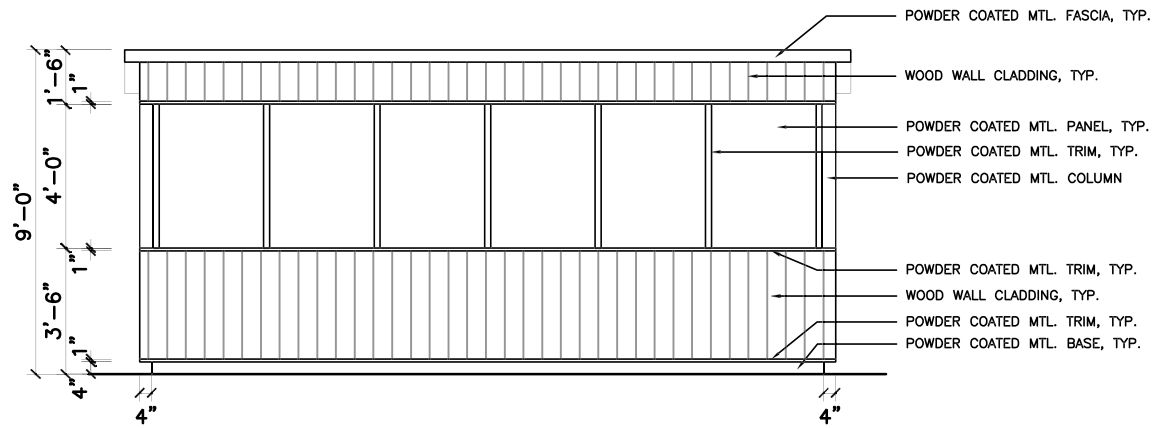
1 ROOF PLAN
SCALE: 1'-0" = 3/16"



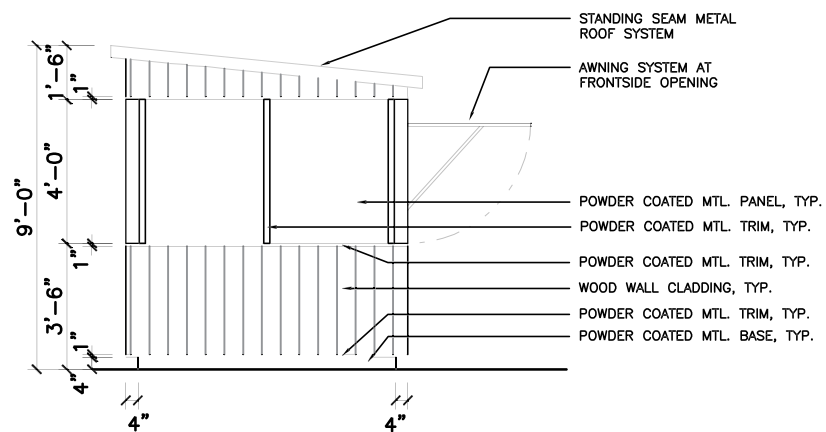
2 PLAN
SCALE: 1'-0" = 3/16"



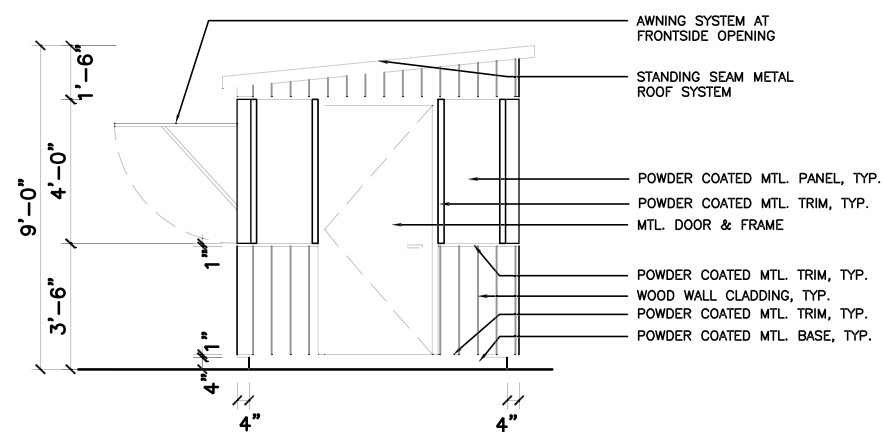
3 FRONT SIDE ELEVATION
SCALE: 1'-0" = 3/16"



4 BACK SIDE ELEVATION
SCALE: 1'-0" = 3/16"



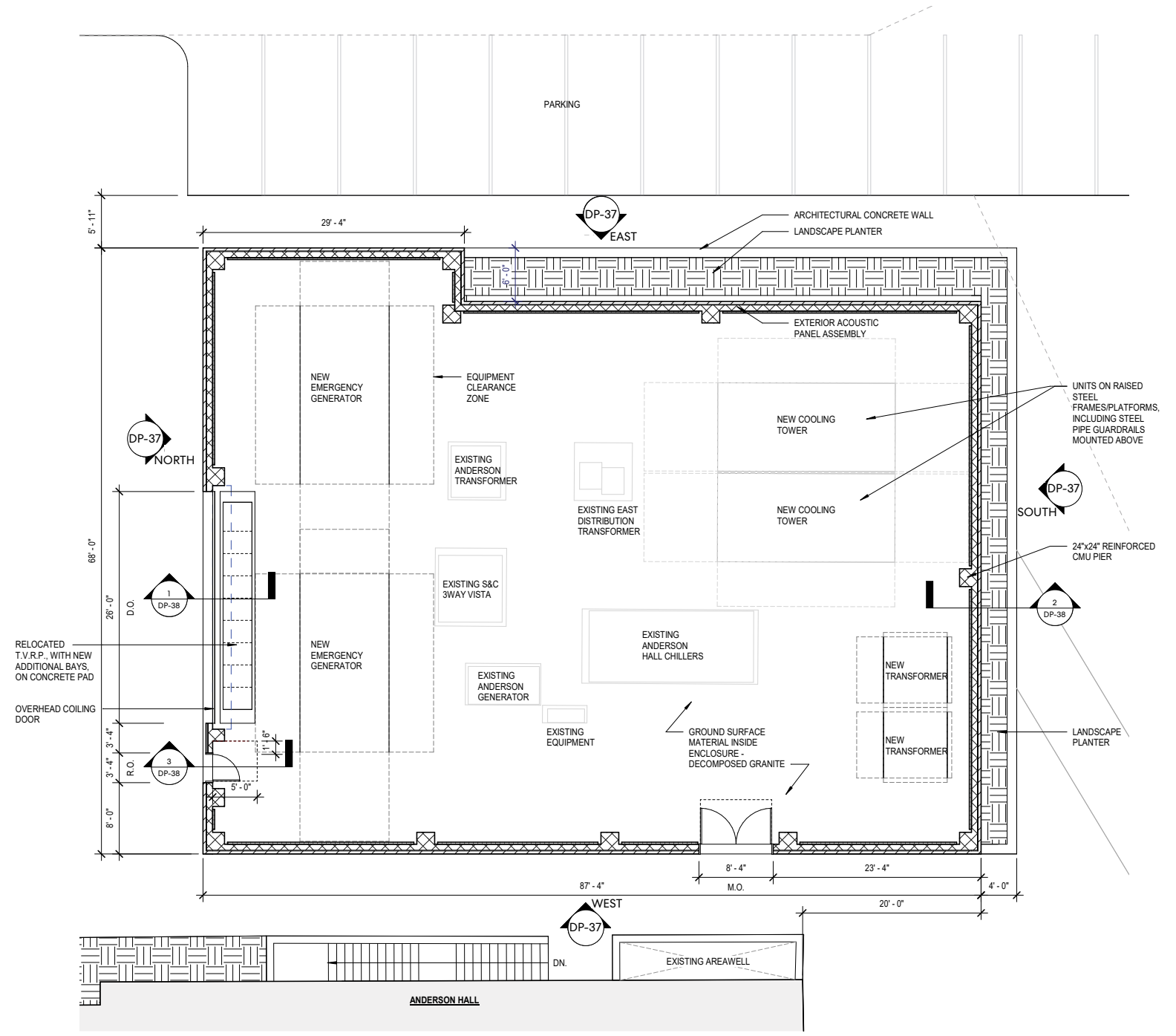
5 LEFT SIDE ELEVATION
SCALE: 1'-0" = 3/16"



6 RIGHT SIDE ELEVATION
SCALE: 1'-0" = 3/16"

LOCATIONS APPROXIMATE.
SUBJECT TO CHANGE.



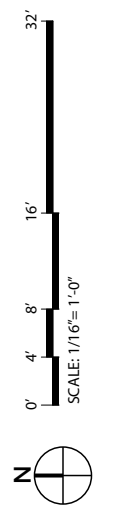


LOCATIONS APPROXIMATE.
SUBJECT TO CHANGE.



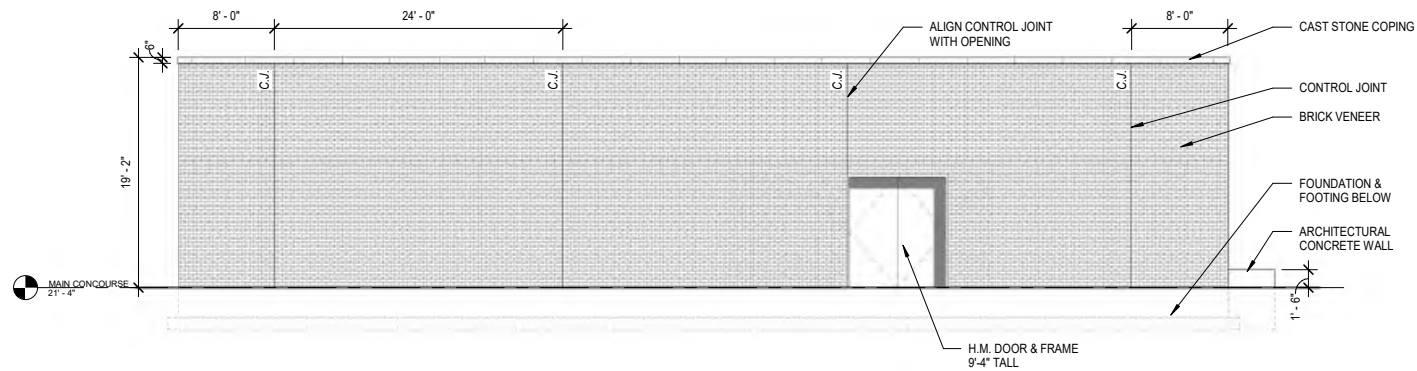
NORTHWESTERN UNIVERSITY
RYAN FIELD REDEVELOPMENT
PLANNED DEVELOPMENT APPLICATION

SITE STRUCTURES - MEP ENCLOSURE

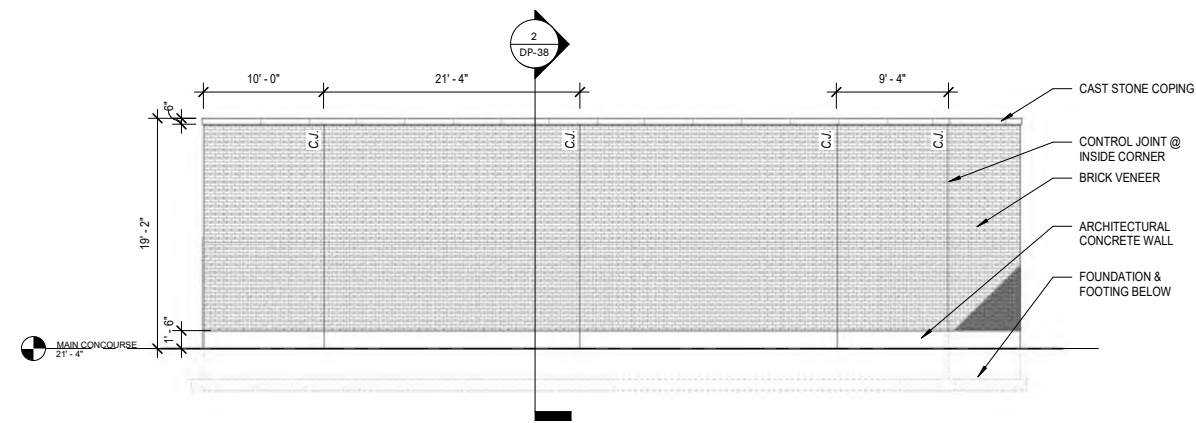


HNTB
Perkins & Will
JUNE 23, 2023

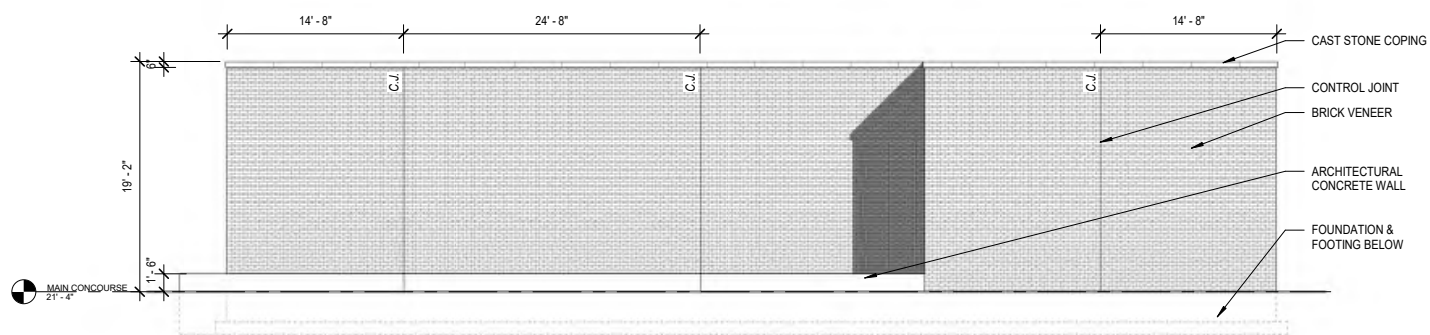
DP-49



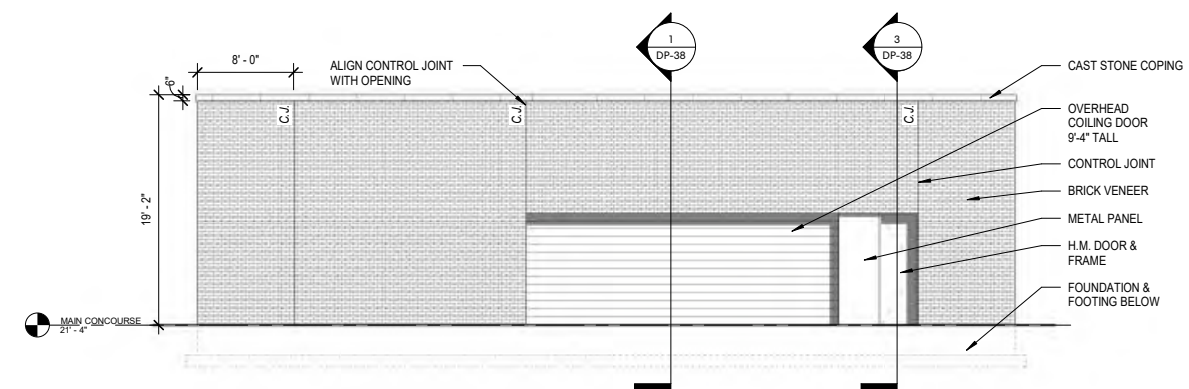
ELEVATION - WEST



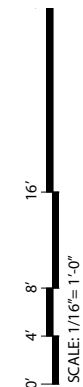
ELEVATION - SOUTH



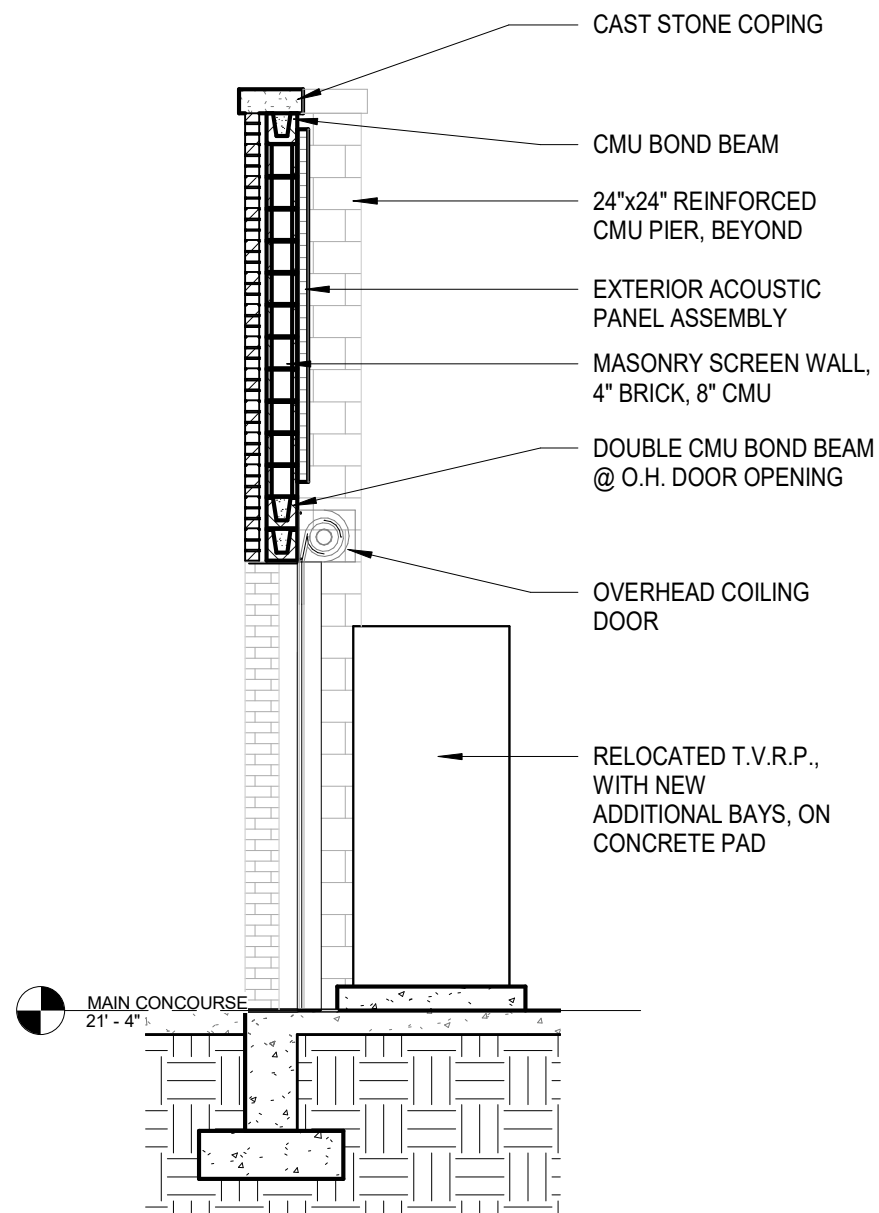
ELEVATION - EAST



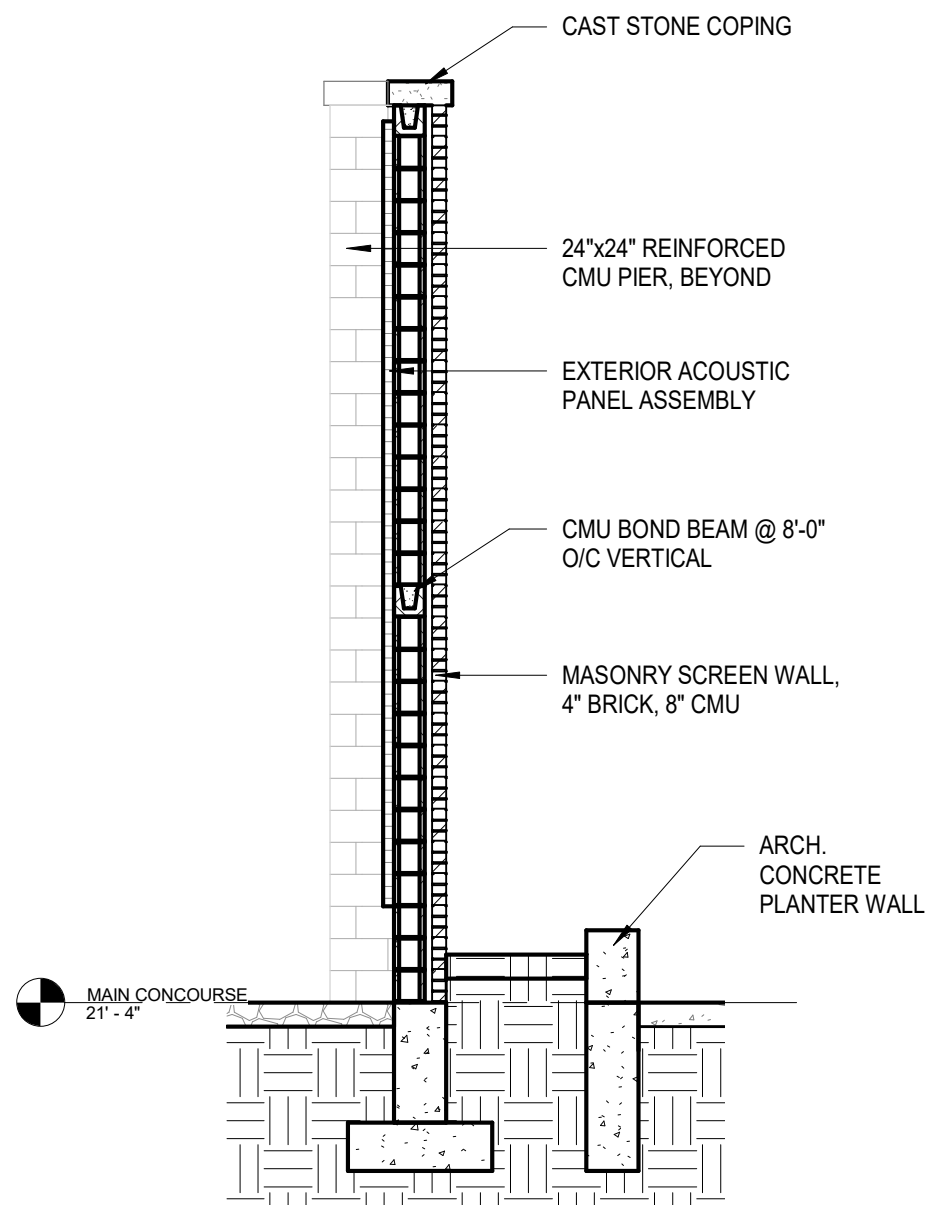
ELEVATION - NORTH



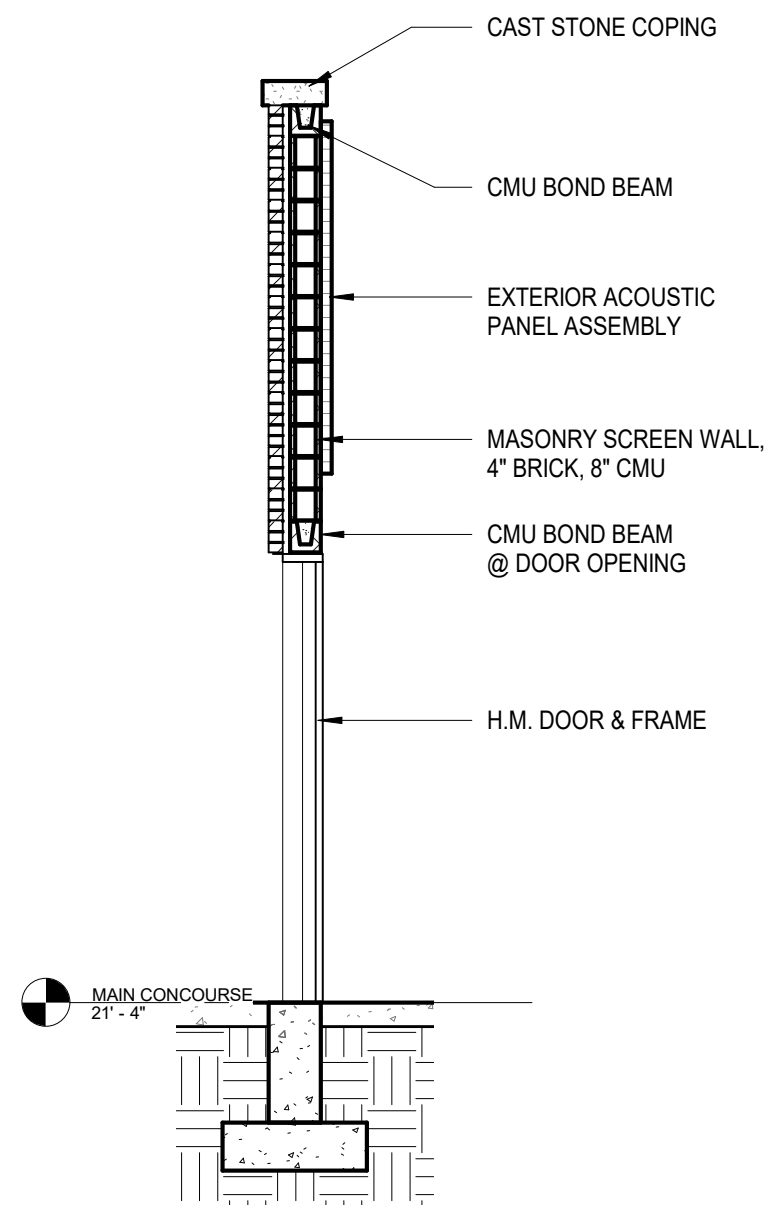
LOCATIONS APPROXIMATE.
SUBJECT TO CHANGE.



SECTION 1



SECTION 2



SECTION 3

SITE STRUCTURES - MEP ENCLOSURE



LOCATIONS APPROXIMATE.
 SUBJECT TO CHANGE.