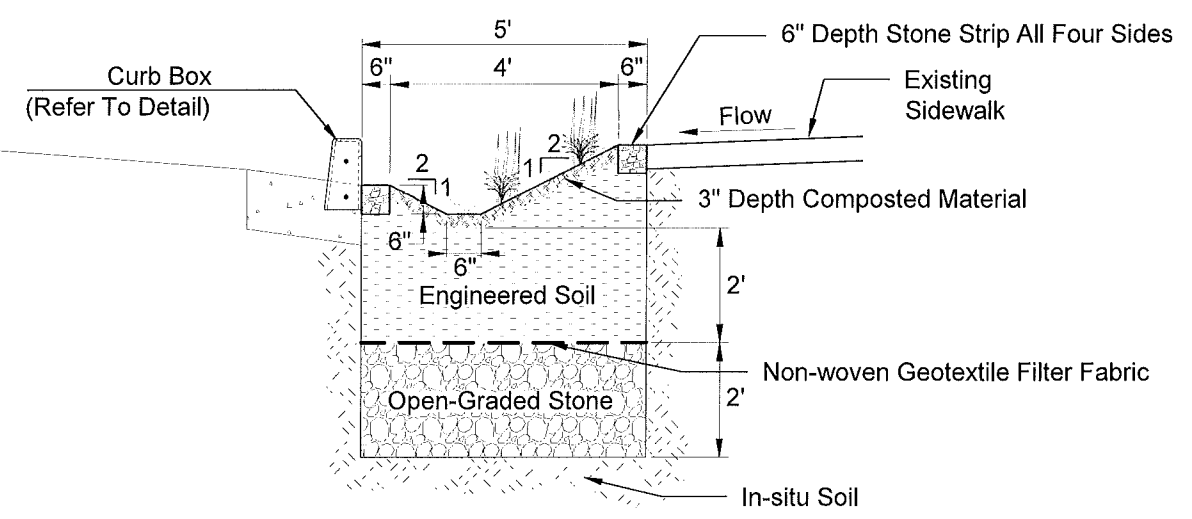
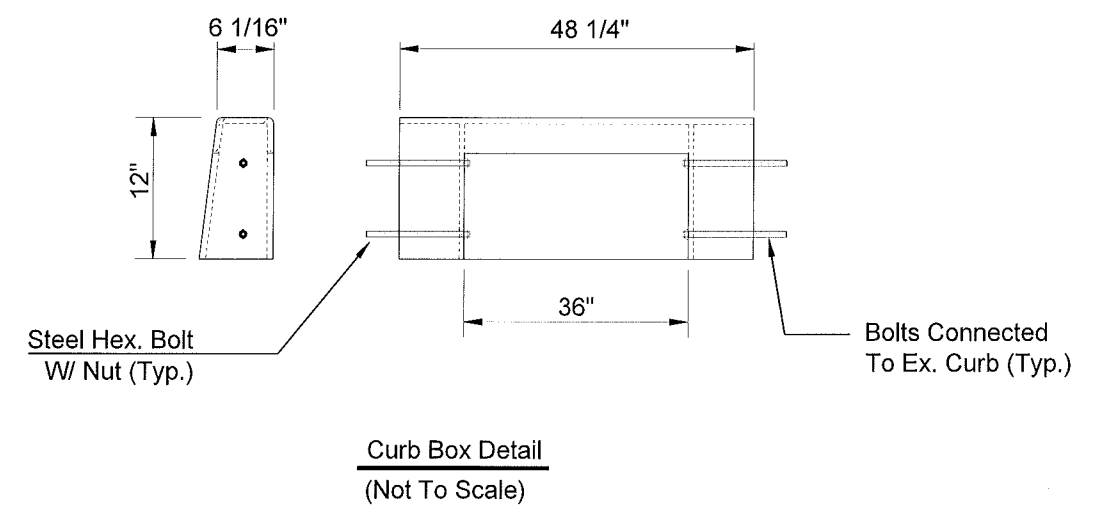


Notes:

1. Sub-grade soil infiltration rates should be confirmed prior to start of work.
2. The layout of the bioretention area will vary according to individual sites and to site-specific constraints such as underlying soils, existing vegetation, drainage, location of utilities, sight distance for traffic, and aesthetics.
3. Filter fabric shall be nonwoven, needle-punched polypropylene geotextile fabric. Fabric shall have a minimum weight of 3.5 ounces per square yard (ASTM D 3776), minimum wet grab tensile strength of 100 pounds (ASTM D 4632), and a minimum flow rate of 75 gallons/minute/square foot (ASTM D 4491).
4. Curb box detailed below or approved equal.



Profile View: Section A-A
(High Permeability Area Only)



Curb Box Detail
(Not To Scale)